

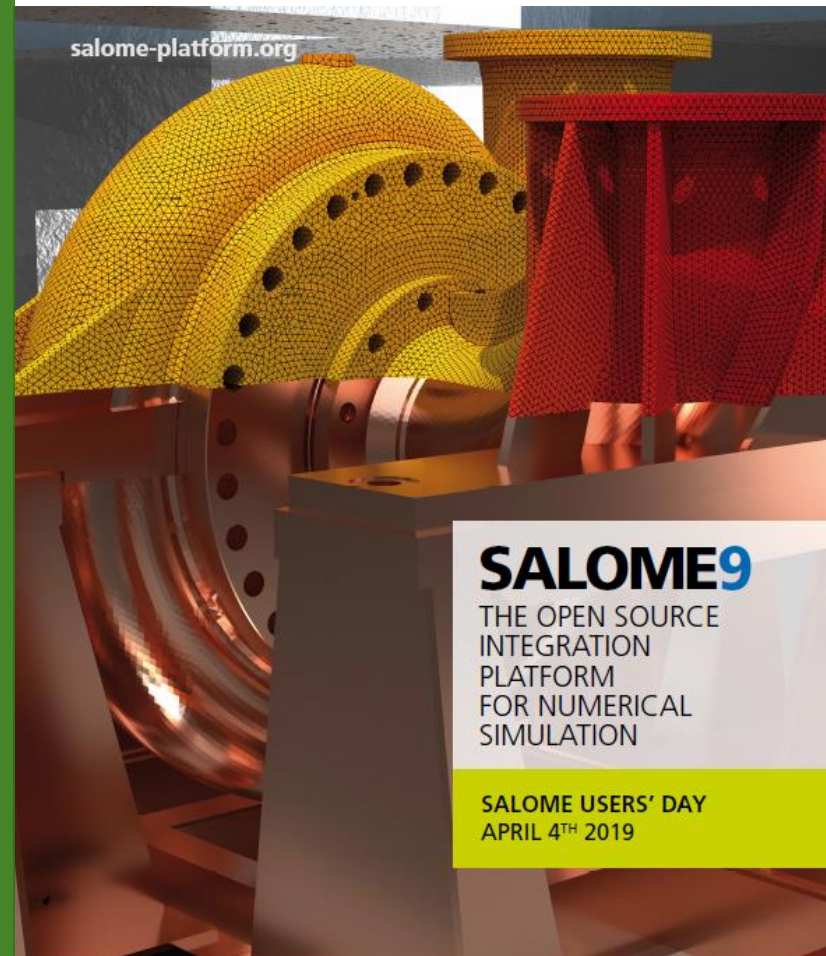
# Closure of the Salome Users' Day 2019

Vincent STOBIAC

Aymeric CANTON

04/04/2019

SALOME User's Day 2019



# NEW PROJECT CYCLE REGARDING SALOME 2019-2023

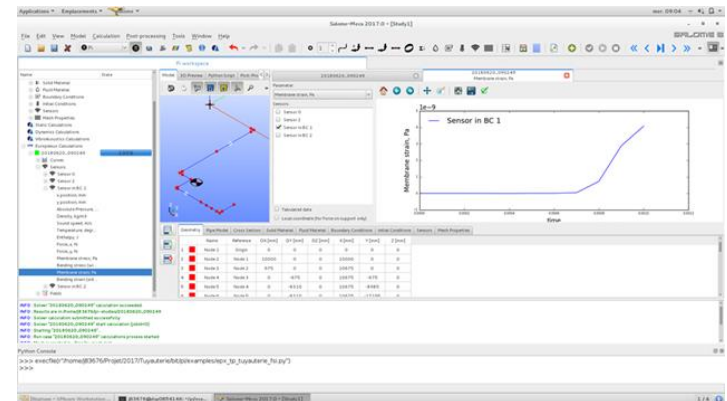
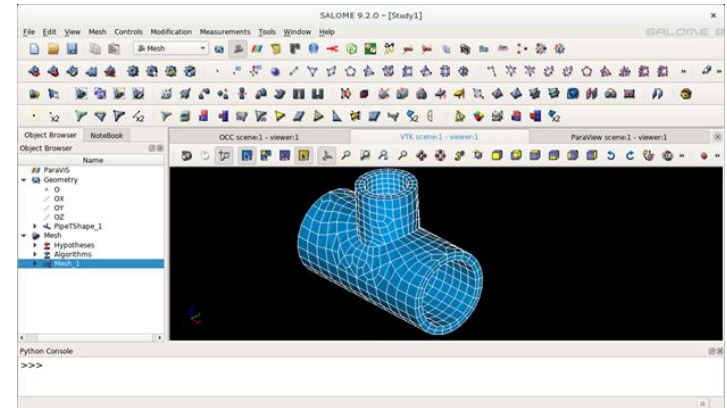
## ■ Advisability study done at the end of 2018

### □ User needs :

- A more user-friendly Graphical User Interface
- Light and customizable domain specific applications
- Take advantage of existing studies
- Automatic meshes for specific physics
- SALOME on the cloud

### □ SALOME team analysis

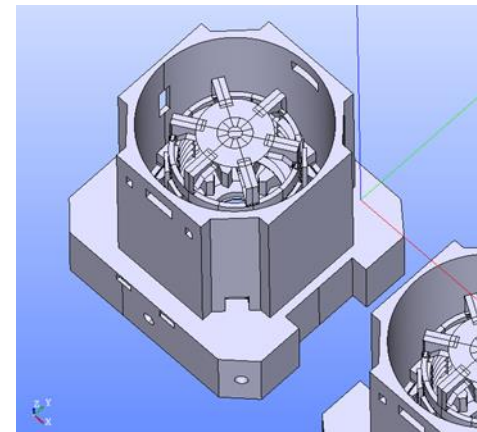
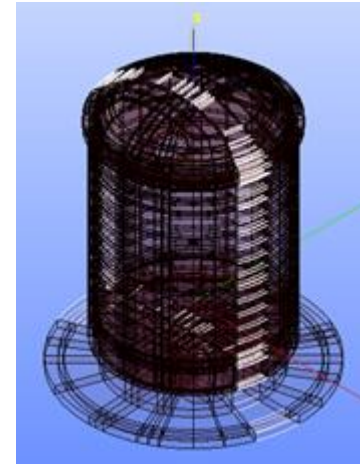
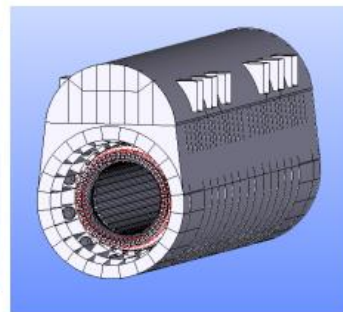
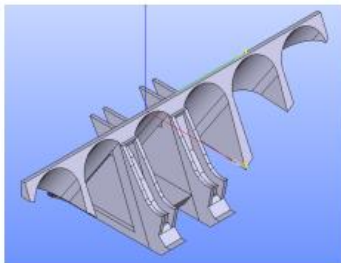
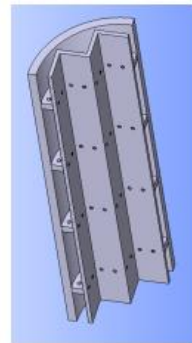
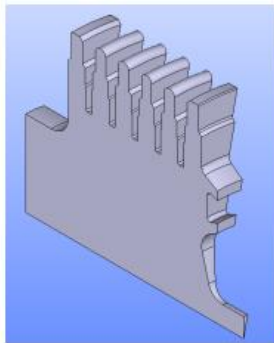
- Architecture updates will be driven by users' use cases
- Automated software factory is required for a full verification



# SHAPER

## IMPROVEMENT AND SUPPORT

- Roadmap 2019-2020
  - User support and documentation
  - Automatic link with SMESH
  - Improve robustness with users' feedbacks



# GUI IMPROVEMENT AND CUSTOMIZABLE APPLICATIONS

## ■ Architecture updates

### □ Objectives :

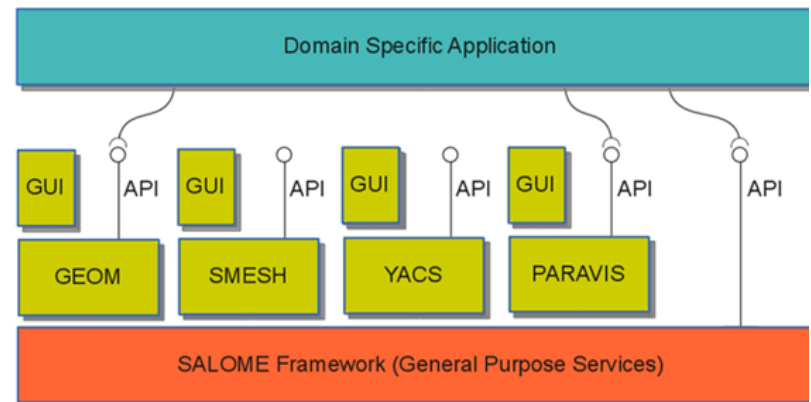
- A customizable Graphical User Interface
- Light domain specific applications with only the required functionalities

### □ Architecture updates will be driven by users' use cases

- Which SALOME services at which level ?
- Do we need a unique viewer ?

### □ Roadmap

- 2019 : use cases analysis and proofs of concept
- 2020 : specification of the required developments
- 2021 : a more ergonomic graphical interface
- 2022 : template of customizable applications



# SOFTWARE FACTORY

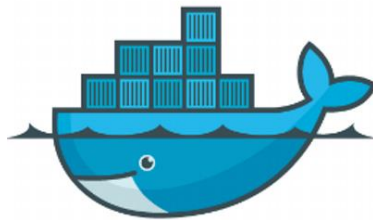
- **Objective : fully automated software factory**

- Automated GUI testing with Squish at CEA
  - Automation done for SALOME 8.5
  - Porting tests to 9.3 in 2019 to know the cost



- **Supported operating systems**

- Building on Windows is better mastered
- A cloud solution is actually tested at EDF
- Will docker container be the long term solution ?
  - Previous tests showed limitations but the technology continues to improve



# ROADMAP

## ▪ Next SALOME deliveries

### □ 2019

- June SALOME 9.3 First official delivery of Shaper
- December SALOME 8.6 Robustness version in Python 2

### □ 2020

- First quarter SALOME 9.4 Shaper with users' feedbacks
- Fourth quarter SALOME 9.5

## ▪ After 2020 ?

### □ SALOME 10 could contain :

- architecture updates
- an ergonomic graphical interface
- ...

It was a pleasure to  
welcome you at the  
**SALOME USERS' DAY**  
2019

